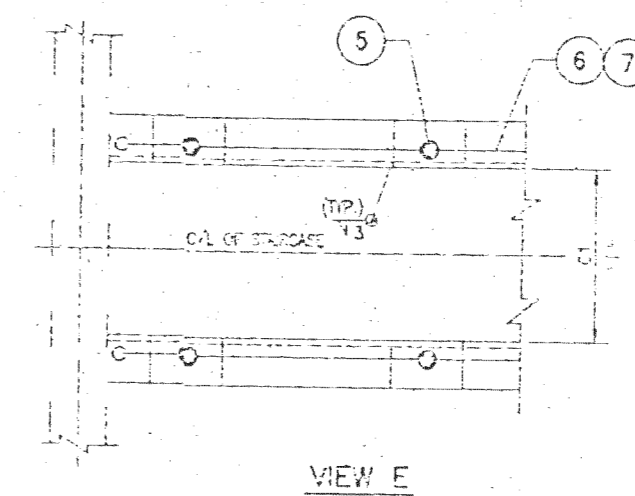
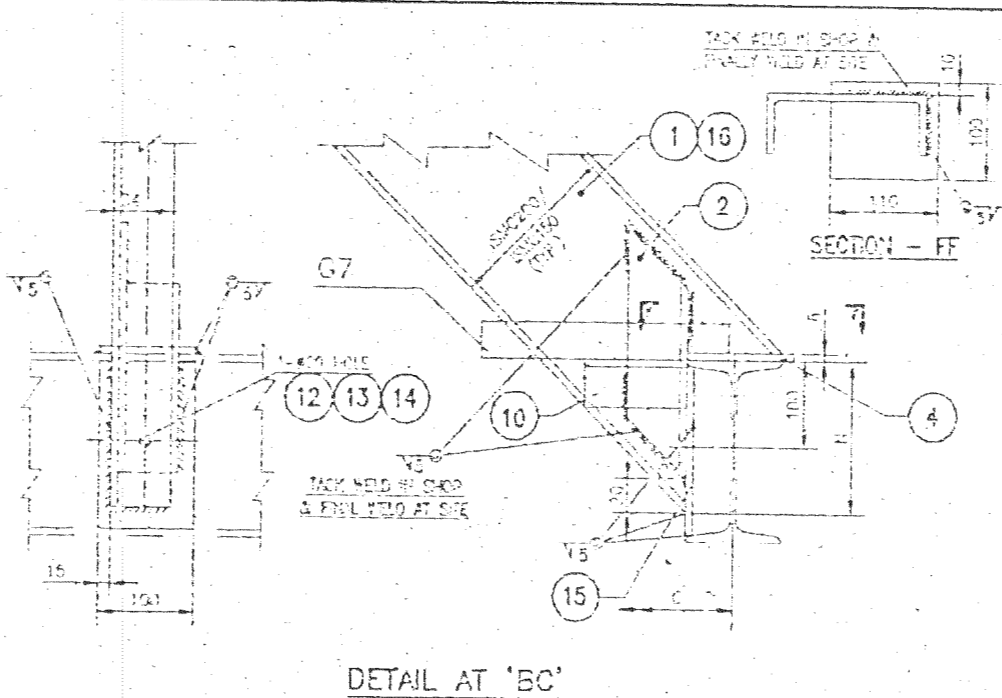
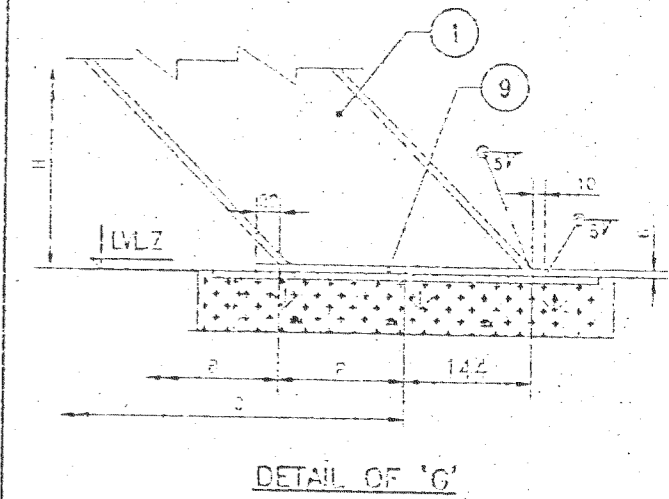
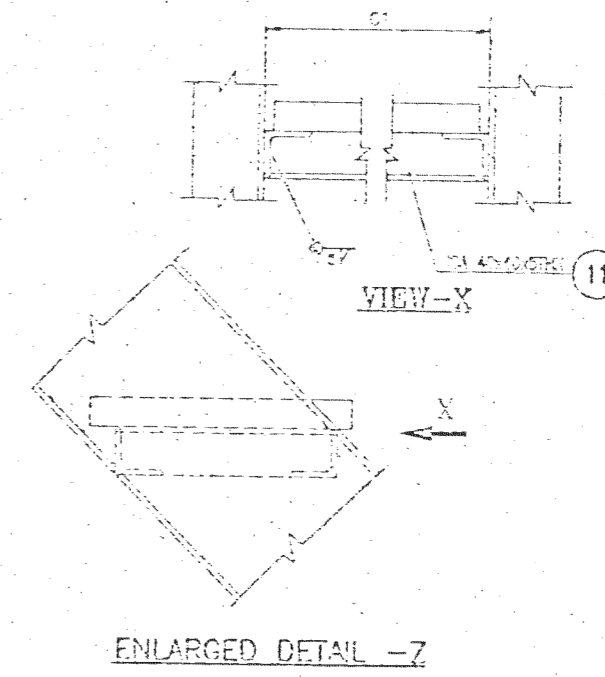
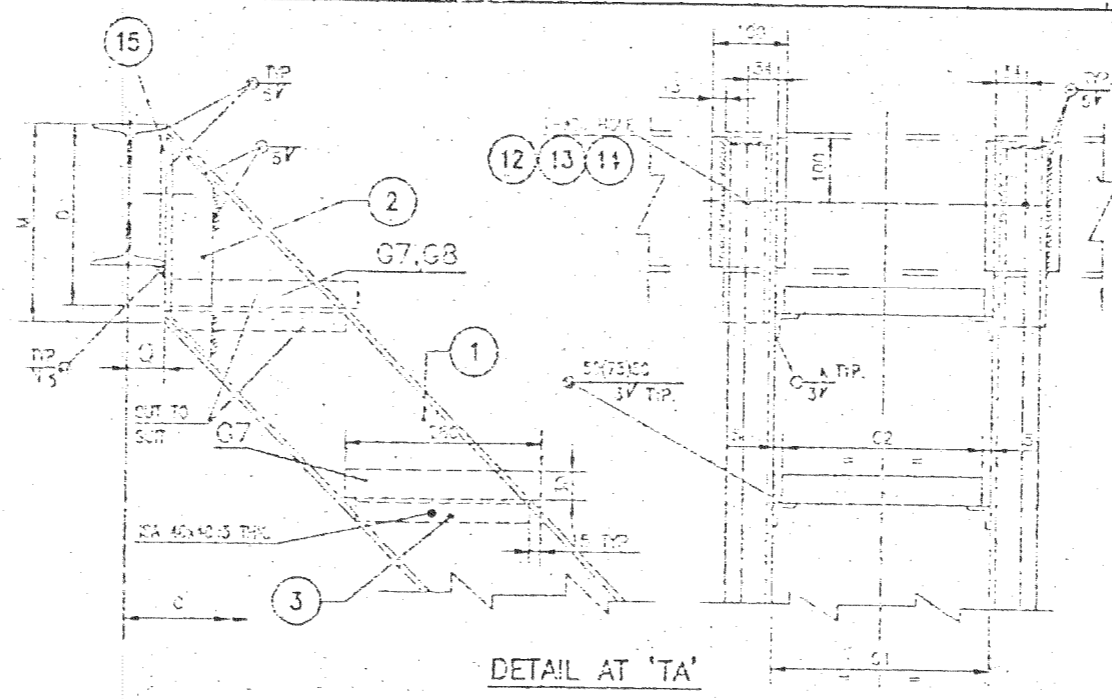
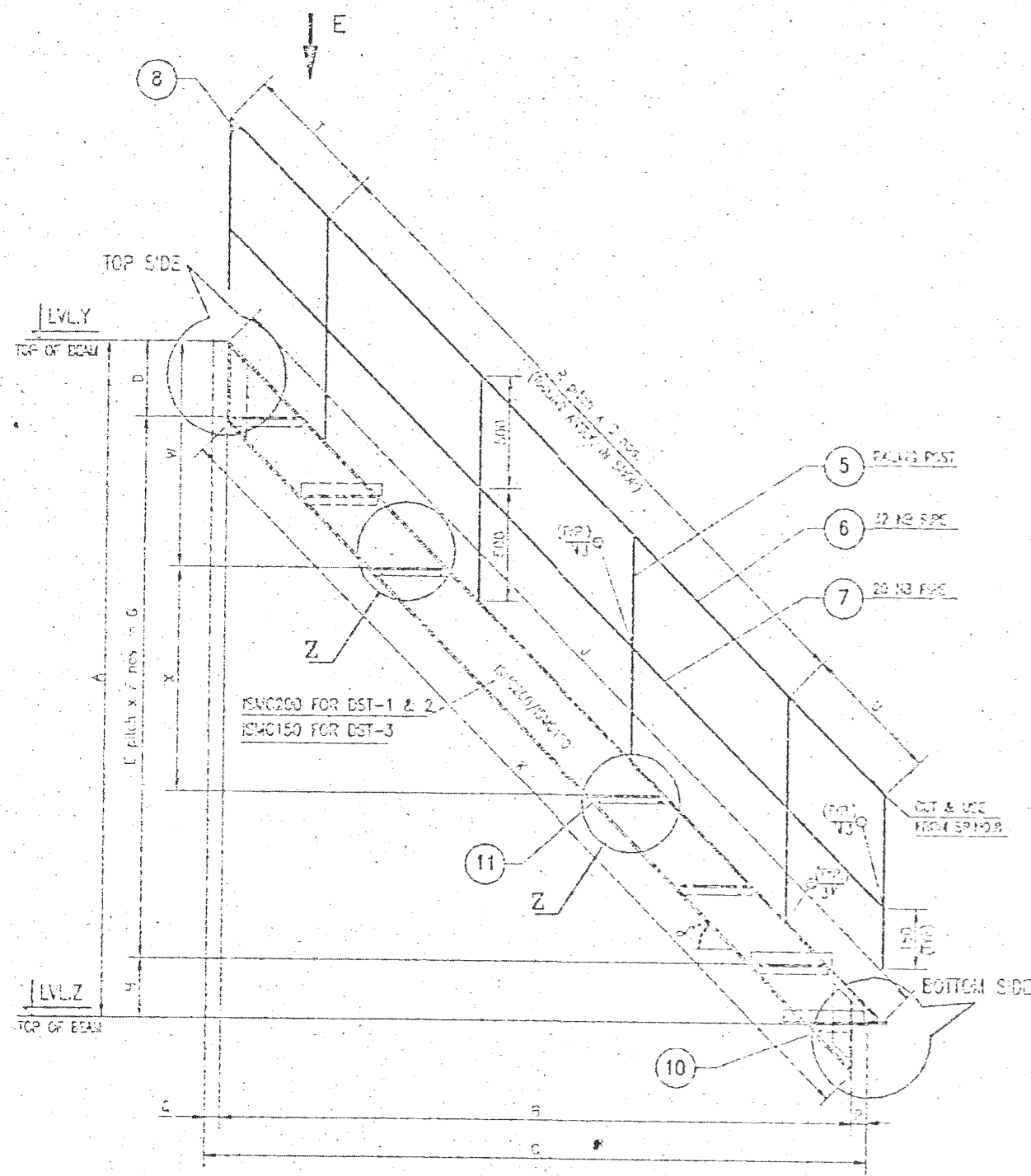


DO NOT SCALE  
IF IN DOUBT, ASK



GRILL DETAILS

STR. NO.	GR. NO.	L X B	QTY.
DST-1	07	740 X 230	15
DST-2	07	740 X 250	17
DST-3	07	740 X 250	12

SR. NO.	STAIRCASE NO.	LVL. Y	TOP SIDE REF. DETAIL AT SECTION SIZE	LVL. Z	BOTTOM SIDE REF. DETAIL AT SECTION SIZE	C'	C	A	B	D	E	F	G	H	J	K	M	N	P	C	P	S	T	U	STR. NO. CI	CC	W	V	STR. NO.
1	DST - 1	3500	DETAIL AT TA M2000	0	DETAIL AT C M2000	45	3100	3500	3211	250	200	15	3000	250	4241	4541	283	-	133	50	1000	4	300	641	750	740	1250	1000	1
2	DST - 2	7000	DETAIL AT TA M2000	3500	DETAIL AT EC M2000	45	3500	3500	3400	250	200	15	3000	250	4000	4000	230	153	50	1000	4	300	600	750	740	1250	1000	1	
3	DST - 3	9450	DETAIL AT TA M2000	7000	DETAIL AT BC M2000	45	2450	2450	2300	200	200	10	2000	200	3405	3323	210	112	50	80	800	3	300	450	750	740	-	-	1

- NOTES:-
- \* ALL DIMENSIONS ARE IN mm. UNLESS OTHERWISE SPECIFIED.
  - \* FOR PAINTING SEE PAINTING SPEC. NO. - S11-FB-CS-14260
  - \* FOR GENERAL NOTES REF. CE-CS-12167.
  - \* FOR BARING POINT SEE DPG. NO. - SD-07-364
  - \* FOR DEGRATER STRUCTURE ASSLY. REF. DRG. NO. - S80-1FB-15475

CUSTOMER :- OSWAL CHEMICALS & FERTILIZERS LTD.  
CONSULTANT :- DESEIN PRIVATE LTD.

THIS SYMBOL IN THE BLOCK INDICATES THAT THIS BLOCK IS PICKED FROM BLOCK LIBRARY.

REVISION IN CAD DRAWING SHALL BE RELEASED ONLY AFTER ENSURING THAT IT IS INCORPORATED IN THE RELEVANT CAD FILE. REVISION IS INVALID IF CAD CHECK SIGN IN REV IS ABSENT.

Boiler NO. - PA0171

Thermax Babcock & Wilcox Limited PUNE 411 034

SCALE: DRAWN: PKS 02/03/01  
CHECKED: [Signature] 03/03/01  
APPROVED: [Signature] 9/8/01

DETAIL OF STAIRCASE (DST-1 TO DST-3)

DRG. NO. S84-2FB-15616 REV. NO. 0

1. TO DRAWING ARE FOR CIRCULARITY  
 2. ACCEPTABLE TOLERANCE FOR DIMENSIONS SHALL BE AS PER IS: 1913-1993  
 3. DIMENSIONS ARE IN mm. UNLESS OTHERWISE SPECIFIED.  
 4. DIMENSIONS ARE IN mm. UNLESS OTHERWISE SPECIFIED.  
 5. DIMENSIONS ARE IN mm. UNLESS OTHERWISE SPECIFIED.  
 6. DIMENSIONS ARE IN mm. UNLESS OTHERWISE SPECIFIED.  
 7. DIMENSIONS ARE IN mm. UNLESS OTHERWISE SPECIFIED.  
 8. DIMENSIONS ARE IN mm. UNLESS OTHERWISE SPECIFIED.  
 9. DIMENSIONS ARE IN mm. UNLESS OTHERWISE SPECIFIED.  
 10. DIMENSIONS ARE IN mm. UNLESS OTHERWISE SPECIFIED.  
 11. DIMENSIONS ARE IN mm. UNLESS OTHERWISE SPECIFIED.  
 12. DIMENSIONS ARE IN mm. UNLESS OTHERWISE SPECIFIED.  
 13. DIMENSIONS ARE IN mm. UNLESS OTHERWISE SPECIFIED.  
 14. DIMENSIONS ARE IN mm. UNLESS OTHERWISE SPECIFIED.  
 15. DIMENSIONS ARE IN mm. UNLESS OTHERWISE SPECIFIED.  
 16. DIMENSIONS ARE IN mm. UNLESS OTHERWISE SPECIFIED.  
 17. DIMENSIONS ARE IN mm. UNLESS OTHERWISE SPECIFIED.  
 18. DIMENSIONS ARE IN mm. UNLESS OTHERWISE SPECIFIED.  
 19. DIMENSIONS ARE IN mm. UNLESS OTHERWISE SPECIFIED.  
 20. DIMENSIONS ARE IN mm. UNLESS OTHERWISE SPECIFIED.  
 21. DIMENSIONS ARE IN mm. UNLESS OTHERWISE SPECIFIED.  
 22. DIMENSIONS ARE IN mm. UNLESS OTHERWISE SPECIFIED.  
 23. DIMENSIONS ARE IN mm. UNLESS OTHERWISE SPECIFIED.  
 24. DIMENSIONS ARE IN mm. UNLESS OTHERWISE SPECIFIED.  
 25. DIMENSIONS ARE IN mm. UNLESS OTHERWISE SPECIFIED.  
 26. DIMENSIONS ARE IN mm. UNLESS OTHERWISE SPECIFIED.  
 27. DIMENSIONS ARE IN mm. UNLESS OTHERWISE SPECIFIED.  
 28. DIMENSIONS ARE IN mm. UNLESS OTHERWISE SPECIFIED.  
 29. DIMENSIONS ARE IN mm. UNLESS OTHERWISE SPECIFIED.  
 30. DIMENSIONS ARE IN mm. UNLESS OTHERWISE SPECIFIED.  
 31. DIMENSIONS ARE IN mm. UNLESS OTHERWISE SPECIFIED.  
 32. DIMENSIONS ARE IN mm. UNLESS OTHERWISE SPECIFIED.  
 33. DIMENSIONS ARE IN mm. UNLESS OTHERWISE SPECIFIED.  
 34. DIMENSIONS ARE IN mm. UNLESS OTHERWISE SPECIFIED.  
 35. DIMENSIONS ARE IN mm. UNLESS OTHERWISE SPECIFIED.  
 36. DIMENSIONS ARE IN mm. UNLESS OTHERWISE SPECIFIED.  
 37. DIMENSIONS ARE IN mm. UNLESS OTHERWISE SPECIFIED.  
 38. DIMENSIONS ARE IN mm. UNLESS OTHERWISE SPECIFIED.  
 39. DIMENSIONS ARE IN mm. UNLESS OTHERWISE SPECIFIED.  
 40. DIMENSIONS ARE IN mm. UNLESS OTHERWISE SPECIFIED.  
 41. DIMENSIONS ARE IN mm. UNLESS OTHERWISE SPECIFIED.  
 42. DIMENSIONS ARE IN mm. UNLESS OTHERWISE SPECIFIED.  
 43. DIMENSIONS ARE IN mm. UNLESS OTHERWISE SPECIFIED.  
 44. DIMENSIONS ARE IN mm. UNLESS OTHERWISE SPECIFIED.  
 45. DIMENSIONS ARE IN mm. UNLESS OTHERWISE SPECIFIED.  
 46. DIMENSIONS ARE IN mm. UNLESS OTHERWISE SPECIFIED.  
 47. DIMENSIONS ARE IN mm. UNLESS OTHERWISE SPECIFIED.  
 48. DIMENSIONS ARE IN mm. UNLESS OTHERWISE SPECIFIED.  
 49. DIMENSIONS ARE IN mm. UNLESS OTHERWISE SPECIFIED.  
 50. DIMENSIONS ARE IN mm. UNLESS OTHERWISE SPECIFIED.  
 51. DIMENSIONS ARE IN mm. UNLESS OTHERWISE SPECIFIED.  
 52. DIMENSIONS ARE IN mm. UNLESS OTHERWISE SPECIFIED.  
 53. DIMENSIONS ARE IN mm. UNLESS OTHERWISE SPECIFIED.  
 54. DIMENSIONS ARE IN mm. UNLESS OTHERWISE SPECIFIED.  
 55. DIMENSIONS ARE IN mm. UNLESS OTHERWISE SPECIFIED.  
 56. DIMENSIONS ARE IN mm. UNLESS OTHERWISE SPECIFIED.  
 57. DIMENSIONS ARE IN mm. UNLESS OTHERWISE SPECIFIED.  
 58. DIMENSIONS ARE IN mm. UNLESS OTHERWISE SPECIFIED.  
 59. DIMENSIONS ARE IN mm. UNLESS OTHERWISE SPECIFIED.  
 60. DIMENSIONS ARE IN mm. UNLESS OTHERWISE SPECIFIED.  
 61. DIMENSIONS ARE IN mm. UNLESS OTHERWISE SPECIFIED.  
 62. DIMENSIONS ARE IN mm. UNLESS OTHERWISE SPECIFIED.  
 63. DIMENSIONS ARE IN mm. UNLESS OTHERWISE SPECIFIED.  
 64. DIMENSIONS ARE IN mm. UNLESS OTHERWISE SPECIFIED.  
 65. DIMENSIONS ARE IN mm. UNLESS OTHERWISE SPECIFIED.  
 66. DIMENSIONS ARE IN mm. UNLESS OTHERWISE SPECIFIED.  
 67. DIMENSIONS ARE IN mm. UNLESS OTHERWISE SPECIFIED.  
 68. DIMENSIONS ARE IN mm. UNLESS OTHERWISE SPECIFIED.  
 69. DIMENSIONS ARE IN mm. UNLESS OTHERWISE SPECIFIED.  
 70. DIMENSIONS ARE IN mm. UNLESS OTHERWISE SPECIFIED.  
 71. DIMENSIONS ARE IN mm. UNLESS OTHERWISE SPECIFIED.  
 72. DIMENSIONS ARE IN mm. UNLESS OTHERWISE SPECIFIED.  
 73. DIMENSIONS ARE IN mm. UNLESS OTHERWISE SPECIFIED.  
 74. DIMENSIONS ARE IN mm. UNLESS OTHERWISE SPECIFIED.  
 75. DIMENSIONS ARE IN mm. UNLESS OTHERWISE SPECIFIED.  
 76. DIMENSIONS ARE IN mm. UNLESS OTHERWISE SPECIFIED.  
 77. DIMENSIONS ARE IN mm. UNLESS OTHERWISE SPECIFIED.  
 78. DIMENSIONS ARE IN mm. UNLESS OTHERWISE SPECIFIED.  
 79. DIMENSIONS ARE IN mm. UNLESS OTHERWISE SPECIFIED.  
 80. DIMENSIONS ARE IN mm. UNLESS OTHERWISE SPECIFIED.  
 81. DIMENSIONS ARE IN mm. UNLESS OTHERWISE SPECIFIED.  
 82. DIMENSIONS ARE IN mm. UNLESS OTHERWISE SPECIFIED.  
 83. DIMENSIONS ARE IN mm. UNLESS OTHERWISE SPECIFIED.  
 84. DIMENSIONS ARE IN mm. UNLESS OTHERWISE SPECIFIED.  
 85. DIMENSIONS ARE IN mm. UNLESS OTHERWISE SPECIFIED.  
 86. DIMENSIONS ARE IN mm. UNLESS OTHERWISE SPECIFIED.  
 87. DIMENSIONS ARE IN mm. UNLESS OTHERWISE SPECIFIED.  
 88. DIMENSIONS ARE IN mm. UNLESS OTHERWISE SPECIFIED.  
 89. DIMENSIONS ARE IN mm. UNLESS OTHERWISE SPECIFIED.  
 90. DIMENSIONS ARE IN mm. UNLESS OTHERWISE SPECIFIED.  
 91. DIMENSIONS ARE IN mm. UNLESS OTHERWISE SPECIFIED.  
 92. DIMENSIONS ARE IN mm. UNLESS OTHERWISE SPECIFIED.  
 93. DIMENSIONS ARE IN mm. UNLESS OTHERWISE SPECIFIED.  
 94. DIMENSIONS ARE IN mm. UNLESS OTHERWISE SPECIFIED.  
 95. DIMENSIONS ARE IN mm. UNLESS OTHERWISE SPECIFIED.  
 96. DIMENSIONS ARE IN mm. UNLESS OTHERWISE SPECIFIED.  
 97. DIMENSIONS ARE IN mm. UNLESS OTHERWISE SPECIFIED.  
 98. DIMENSIONS ARE IN mm. UNLESS OTHERWISE SPECIFIED.  
 99. DIMENSIONS ARE IN mm. UNLESS OTHERWISE SPECIFIED.  
 100. DIMENSIONS ARE IN mm. UNLESS OTHERWISE SPECIFIED.

REV. NO.	REVISION	MADE BY	CAD CHK. DATE	APP. BY	DATE

THIS IS A CAD DRAWING, DO NOT TAKE REPRODUCIBLE